

Q&A

LO

LO

Important safety notice

W G 6 S X F W L R X \ p Y O E V R P p p W F H O < V V X L R Q H F F W L R H J
3 O P D Y H U 4 V 4 H
6 X F H Q H F H O V W 0 p ° @ `` € ` 0 € ` p Å € • Å € P ` @ € ` p ° € Å € 0
, P U R S H H R S H U D W L R H D Q G T V H F A P H F D X V H S H S \ R Q V R U U

**Digital tool
system security**

Safety matters of lithium battery pack

1. General information

1.1 System Components

-
-
-
-
-
-

1.2 Detailed Description

1.2.1 Torque Range

80	.5	1500	8

1.2.3 Environmental Description

Notice!

	° C	° F
	0- 35	32- 95
	0- 50	32- 122
	- 25- 70	- 13- 158
	10% 90%	
	10G DIN IEC 68- 2- 6/29	
	1G 10- 150Hz DIN IEC 68- 2- 6/29	
	-	
	-	

2. Battery Torque Wrench

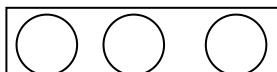
2.1 Overview of the Battery Torque Wrench



2.1.1 Trigger Lock



2.2 Screen Guide



2.3 Lithium Battery Pack

2.3.1 Insert and remove the lithium battery

2.3.2 Check Charging

2.4 Battery Charger

Notice!

2.4.1 Battery Charging

2.4.2 Charging Error

3.0 LCD

3.1 Main screen



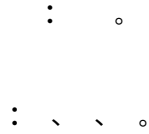
3.1.1 Torque

3.1.2 Working state

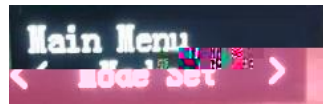
3.1.3 Unit



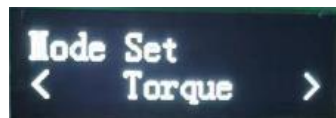
3.1.4 Mode



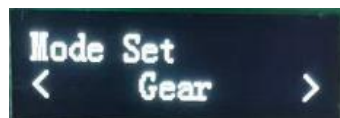
3.2 Mode setting



3.2.1 Increase/decrease the torque



3.2.2 Speed switch



3.2.3 Default switching

3.3 Preset

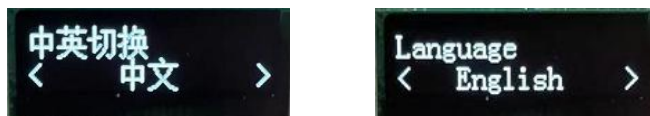
3.3.1 Disassembly value

3.4 Unit setting



3.5 About the machine

3.6 Chinese/English switch



3.7 Calibration

Caution

3.7.1 Calibration

3.7.2 Maximum/Minimum torque

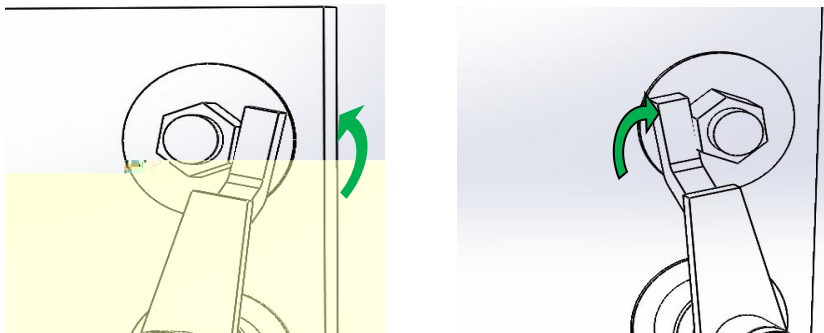
4. General operating instructions

Caution

4.1 Reaction arm

Caution

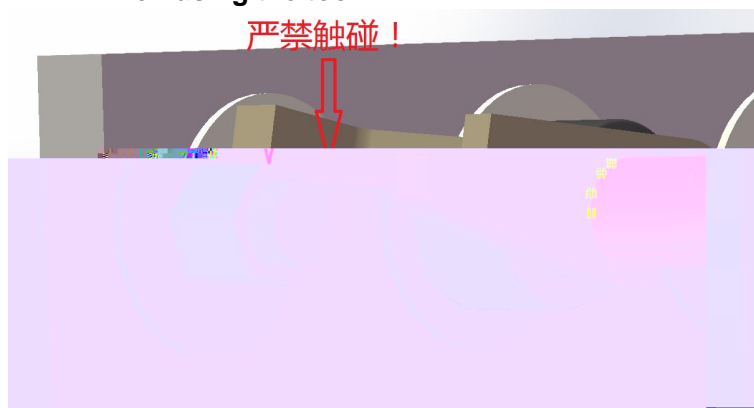
4.1.1 Installation of the reaction arm



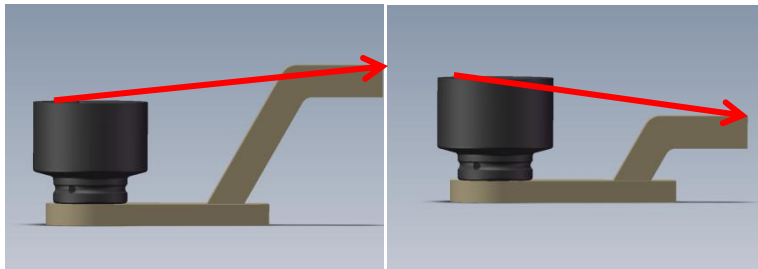
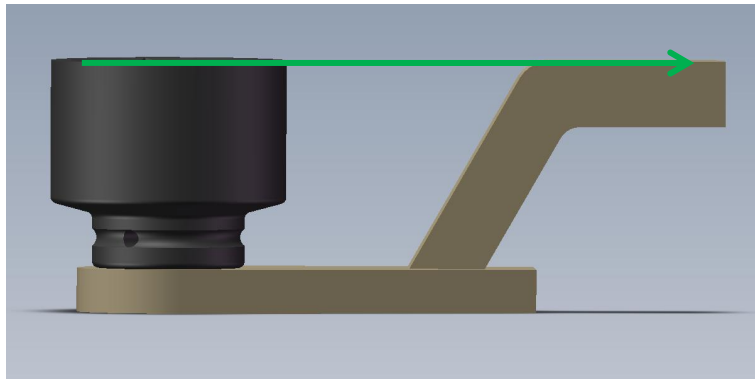
Keep your body away from the reaction arm

when using the tool.

Caution

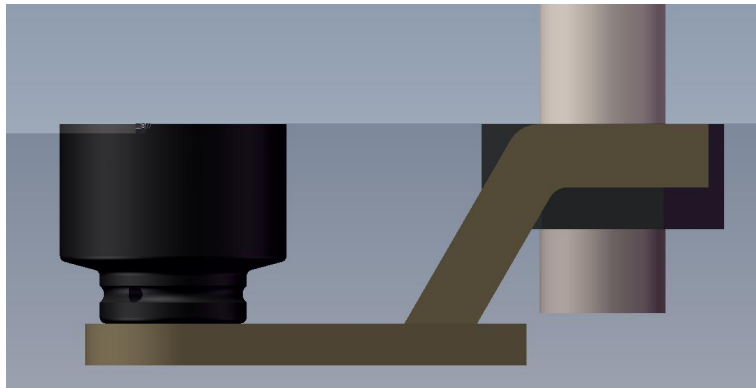


4.1.2 Height of Reaction Arm



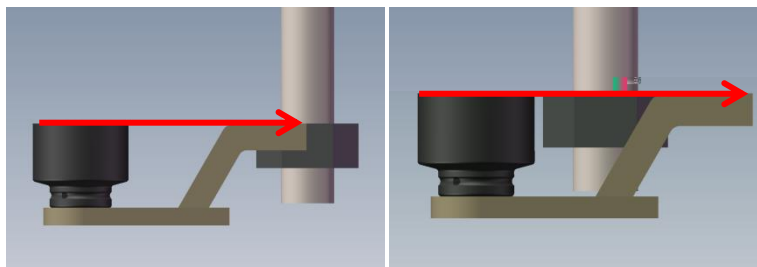
4.1.3 Reaction Arm





Ri \t' len[t\

Errcr He' reaWicn' arm is' tcc' lcn[' cr' tcc' s\crt.'

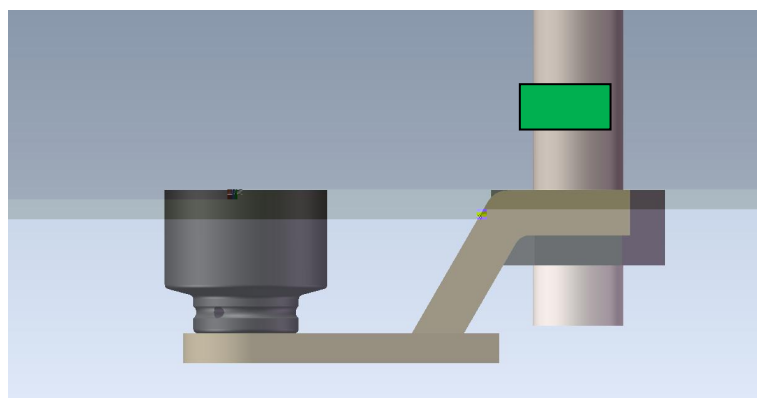


Fi [i re'4: 1. 3-2:' Errcr' len[t\

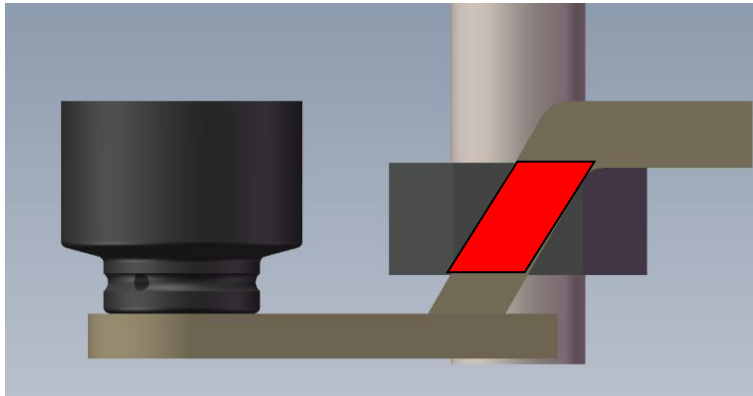
CcnaW' WREN' ZaW'crm cr' di stri bi tcr' tc' W'stcmize' t'e' reaWicn' arm

4. 1. 4-bi WIn[' Pci nt

CcnZi rmt \att\er eaW'icn' p'ci nti si n'W'ntaW'ki t\l'emiddl'e cZ't\er eaW'icn' arm Zcstè' drakin[4. 1. 4-2. Dc' nct' tci W' t'e' baW' cZ' t'e' reaW'icn' : arm Zc'eaW'icn' p'ci nt' is' tci WIn[' t'e' middl e' cZ' t'e' reaW'icn' arm



Fi [i re'4: 1. 4-1:' Ri \t' tci WIn[' pci nt



4.2 Operating Procedure

5. Message reminder

When the buzzer is turned on, it has a reminder function. The buzzer will sound once when the tool is working: the operation is successful.

-
-
-

6. Contact us

Hangzhou WREN Hydraulic Equipment Manufacturing Co., Ltd



WED

000Nm

WEDCX



	3
	3
	4
1.0	5
1.1	5
1.2	5
1.2.1	5
1.2.2	5
1.2.3	6
2.0	6
2.1	6
2.1.1	7
2.2	7
2.3	8
2.3.1	8
2.3.2	8
2.4	8
2.4.1	9
2.4.2	9
3.0 LCD	9
3.1	10
3.1.1	10
3.1.2	10
3.1.3	11
3.1.4	11
3.2	11

3.2.1	11
3.2.2	11
3.2.3	11
3.3	12
3.3.1	12
3.3.2	12
3.3.3	12
3.4	13
3.5	13
3.6	13
3.7	13
3.7.1	13
3.7.2	13
4.0	14
4.1	14
4.1.1	14
4.1.2	15
4.1.3	15
4.1.4	16
4.2	17
5.0	17
6.0	18

80	.5	1500	8	1.7





主菜单
< 模式设置 >

模式设置
< 扭矩值增减 >

主菜单

01 READY
Grade 2

模式设置
< 预设值切换 >

预设值切换 01
< 1000 >

主菜单
< 预设置 >

拆卸值
< 1000 >

预设值 01
< 1000 >

预设置
< 循环个数 >

循环个数
< 01 >

单位设置
< 千米 >

单位设置
< 英磅尺 >

单位设置
< 千克力米 >

Language
< English >

